

DATA SHEET

HT1 DC20 S30 **HITAG™1 Stick Transponder**

Product Specification
Revision 3.0

2000 Apr 19

HITAG™1 Stick Transponder

HT1 DC20 S30

CONTENTS

1	FEATURES	3
2	GENERAL DESCRIPTION	3
3	ORDERING INFORMATION	4
4	QUICK REFERENCE DATA	4
5	BLOCK DIAGRAM	5
6	RELATED DOCUMENTS	6
7	WRITE COMMAND - SAFETY INSTRUCTIONS	6
8	LIMITING VALUES	6
9	ELECTRICAL CHARACTERISTICS	7
10	MECHANICAL CHARACTERISTICS	8
11	DEFINITIONS	9
12	LIFE SUPPORT APPLICATIONS	9
13	REVISION HISTORY	10

HITAG™1 Stick Transponder

HT1 DC20 S30

1 FEATURES

- Complete identification transponder for use in contactless applications
- Operating frequency 125 kHz
- Data transmission and supply energy via RF link, no internal battery
- Low power EEPROM technology for writing distance that equals reading distance
- Total memory size 2048 bit
- Parts of memory can be write protected by the user
- Effective communication protocol with outstanding data integrity check
- Secure mutual authentication function
- Encrypted data transmission
- Anticollision protocol for handling of multiple transponders inside the field of the reader antenna.

2 GENERAL DESCRIPTION

The HT1 DC20 S30, based on the HITAG 1 IC, is a high performance transponder for bi-directional data transmission in half duplex mode.

Data are stored in the transponder in a non –volatile memory (EEPROM). The transponder acts as a passive device, thus not having the need for any internal power supply (battery).

It derives power from the magnetic component of the RF carrier frequency generated by the reader. Data is transmitted by modulating this carrier.

The HT1 DC20 S30 is dedicated for use in secure access systems where the transponder and the reader have to identify each other.

The EEPROM has a capacity of 2048 bits and is organised in 64 pages. Access is provided either in page mode or in block mode, where 1 block includes 4 pages.

Absorption modulation is used to transmit data from the transponder to the reader. The transponder absorbs the magnetic field which hence modulates the current in the reader antenna. Data transmission to the HT1 DC20 S30 uses binary pulse length modulation (BPLM).

The anticollision feature of the transponder allows to operate several transponders simultaneously in the field of the reader antenna. To use that feature, the reader needs to have implemented the anticollision protocol and must be able to detect bit-collisions. (e.g. the Philips HTRM800 long range reader module includes the anticollision protocol.)

HITAG™1 Stick Transponder

HT1 DC20 S30

3 ORDERING INFORMATION

EXTENDED TYPE NUMBER	PACKAGE	DRAWING	TEMPERATURE RANGE (°C)
HT1 DC20 S30/F	SOT385-1	SOT385BA4	-40 to +85

4 QUICK REFERENCE DATA

PARAMETER	VALUE	UNIT
Carrier frequency	125	kHz (typical)
Data transmission mode	half-duplex	
Transfer rate		
• transponder -> reader	4.0	kbit/s
• reader -> transponder	5.2	kbit/s
Coding		
• transponder -> reader	Manchester / Biphase	
• reader -> transponder	BPLM (binary pulse length modulation)	
Modulation	ASK (amplitude shift keying)	
Memory size	2048	bit
Memory organization	64	page
Encrypted mutual authentication		
• Serial Number	32	bit
• Secret Key	32	bit

Special features	<ul style="list-style-type: none"> • user defined write protection • unique 32 bit serial number for each transponder • encrypted data transmission possible
------------------	---

HITAG™1 Stick Transponder

HT1 DC20 S30

5 BLOCK DIAGRAM

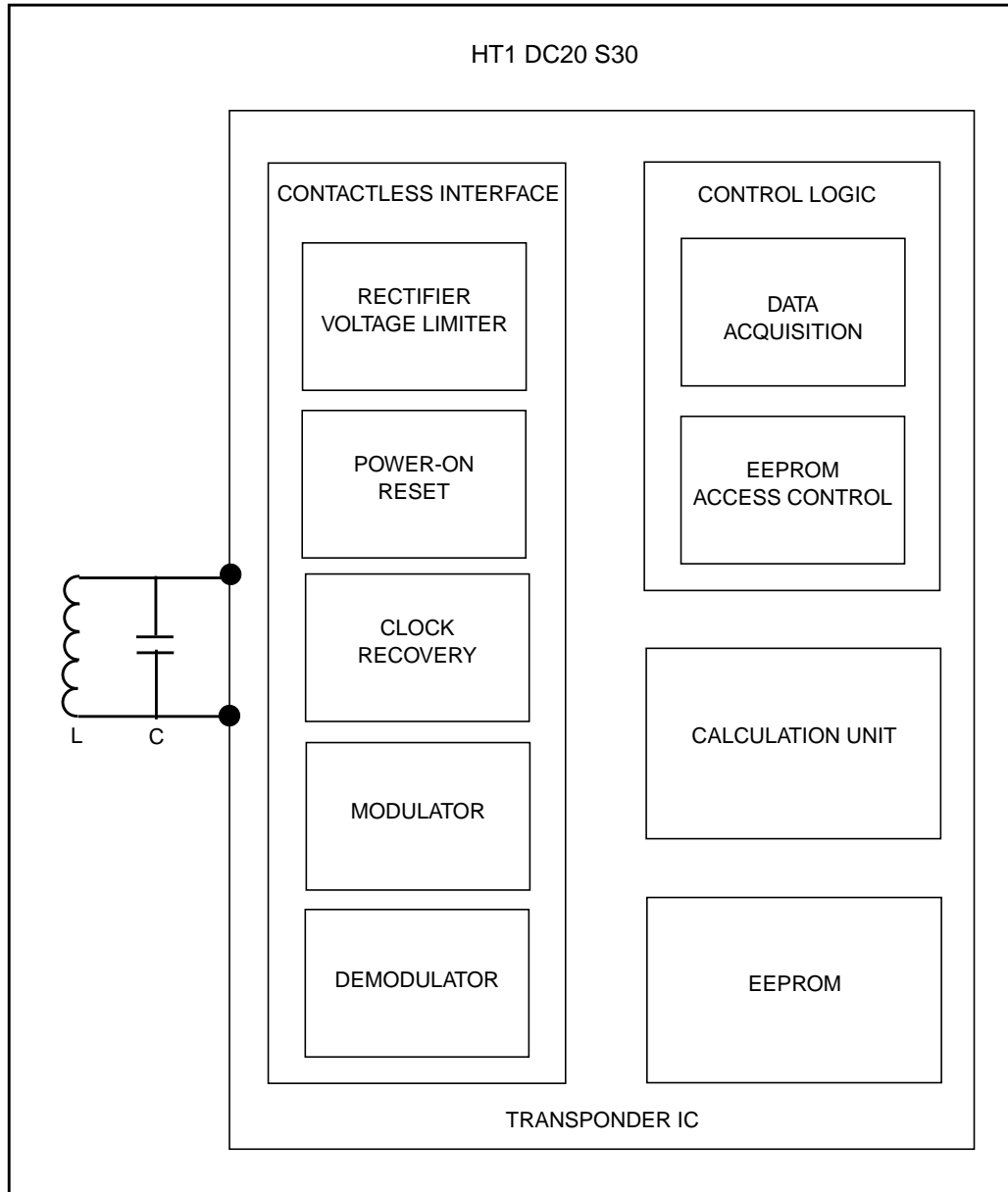


Fig.1 Blockdiagram transponder.

HITAG™1 Stick Transponder

HT1 DC20 S30

6 RELATED DOCUMENTS

For additional informations on the functional description of the HT1 DC20 S30, in particular the protocol between reader and transponder please refer to the document „Data Sheet, HT1 Transponder Family, Communication Protocol Reader ↔ HITAG 1 Transponder.“

7 WRITE COMMAND - SAFETY INSTRUCTIONS

When writing to page 1 (configuration page) we strongly recommend to carefully follow the instructions in the document "HT1 Transponder Family, Communication Protocol, Reader - HITAG1 Transponder". In particular, overwriting the reserved bits in configuration page 1 may lead to reduced reading range of the HT1 DC20 S30.

8 LIMITING VALUES

All values are in accordance with the Absolute Maximum Rating System (IEC 134).

PARAMETER	CONDITION	MIN.	MAX.	UNIT
number of erase/write cycles of the EEPROM	22 °C	100000		
data retention time of the EEPROM	@ 55 °C	10		years
operating temperature range		-40	85	°C
storage temperature range		-55	125	°C
magnetic flux density (resistivity against magnetic pulses)			0.2	T
vibration	10 – 2000 Hz 3-axis IEC 68-2-6, Test Fc		10	g
shock	3-axis IEC 68-2-27, Test Ea		1500	g

HITAG™1 Stick Transponder

HT1 DC20 S30

9 ELECTRICAL CHARACTERISTICS

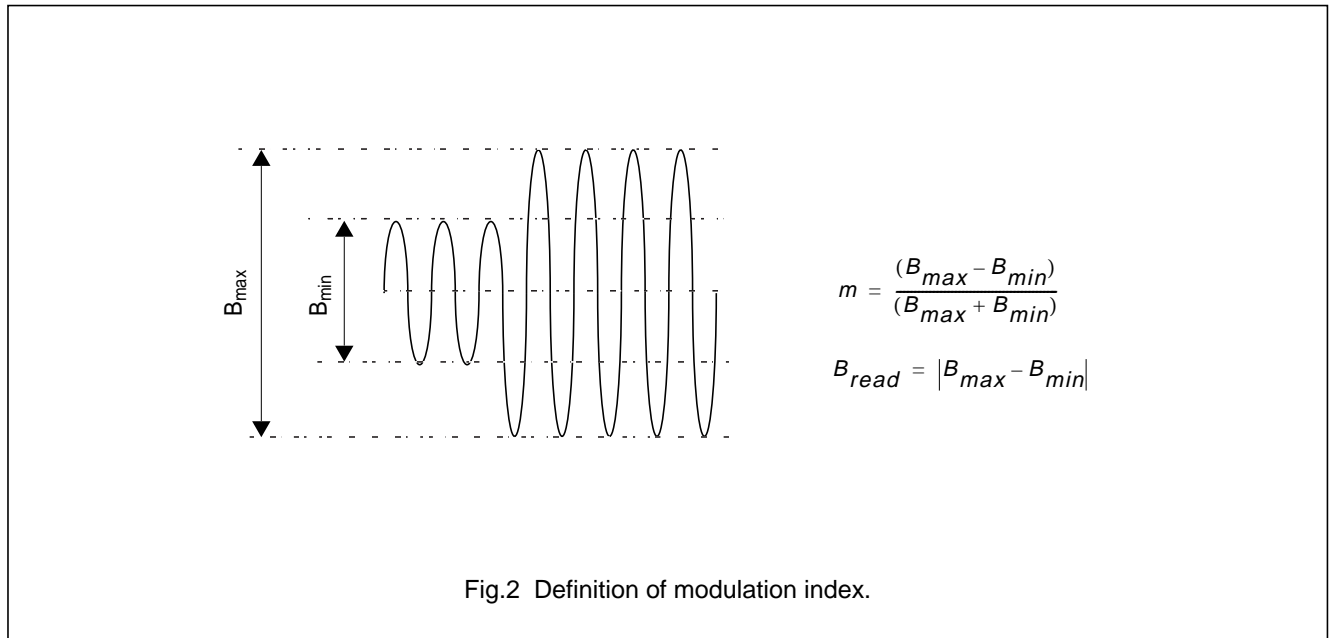
$T_0 = 8 \mu\text{s}$ (period length for $f_0 = 125 \text{ kHz}$). All parameters are guaranteed within the temperature range from $T_{\text{amb}} = -40^\circ\text{C}$ to $+85^\circ\text{C}$.

All parameters are characterized with the SCEMTEC test equipment (STM-1), available from SCEMTEC, Reichshof-Wenrath, Germany.

SYMBOL	PARAMETER	CONDITION	MIN.	MAX.	UNIT
f_{RES}	resonance frequency		120	130	kHz
B_{W}	bandwidth		2.3		kHz
B_{THR}	magnetic flux density, data transmission from transponder	$f_{\text{CARRIER}} = 125 \text{ kHz}$	50	400 ⁽¹⁾	μT_{pp}
B_{PRG}	magnetic flux density for programming the EEPROM	$m = 0.95$ $f_0 = 125 \text{ kHz}$ $t_{\text{LOW}} = 8 T_0$	50	400 ⁽¹⁾	μT_{pp}
B_{AUTH}	magnetic flux density for mutual authentication	$m = 0.95$ $f_0 = 125 \text{ kHz}$ $t_{\text{LOW}} = 8 T_0$	50	400 ⁽¹⁾	μT_{pp}
B_{READ}	field absorption due to the modulation of the transponder	$f_0 = 125 \text{ kHz}$ $B_{\text{FIELD}} = 50 \mu\text{T}_{\text{pp}}$	8		μT_{pp}
MI_{PRG}	modulation index (m) of the base station for programming and authentication	$f_0 = 125 \text{ kHz}$ $B_{\text{FIELD}} = 50 \mu\text{T}_{\text{pp}}$ $t_{\text{LOW}} = 8 T_0$	95	100	%

Note

1. Maximum available field strength of the test equipment. Transponder limit has not been characterized.



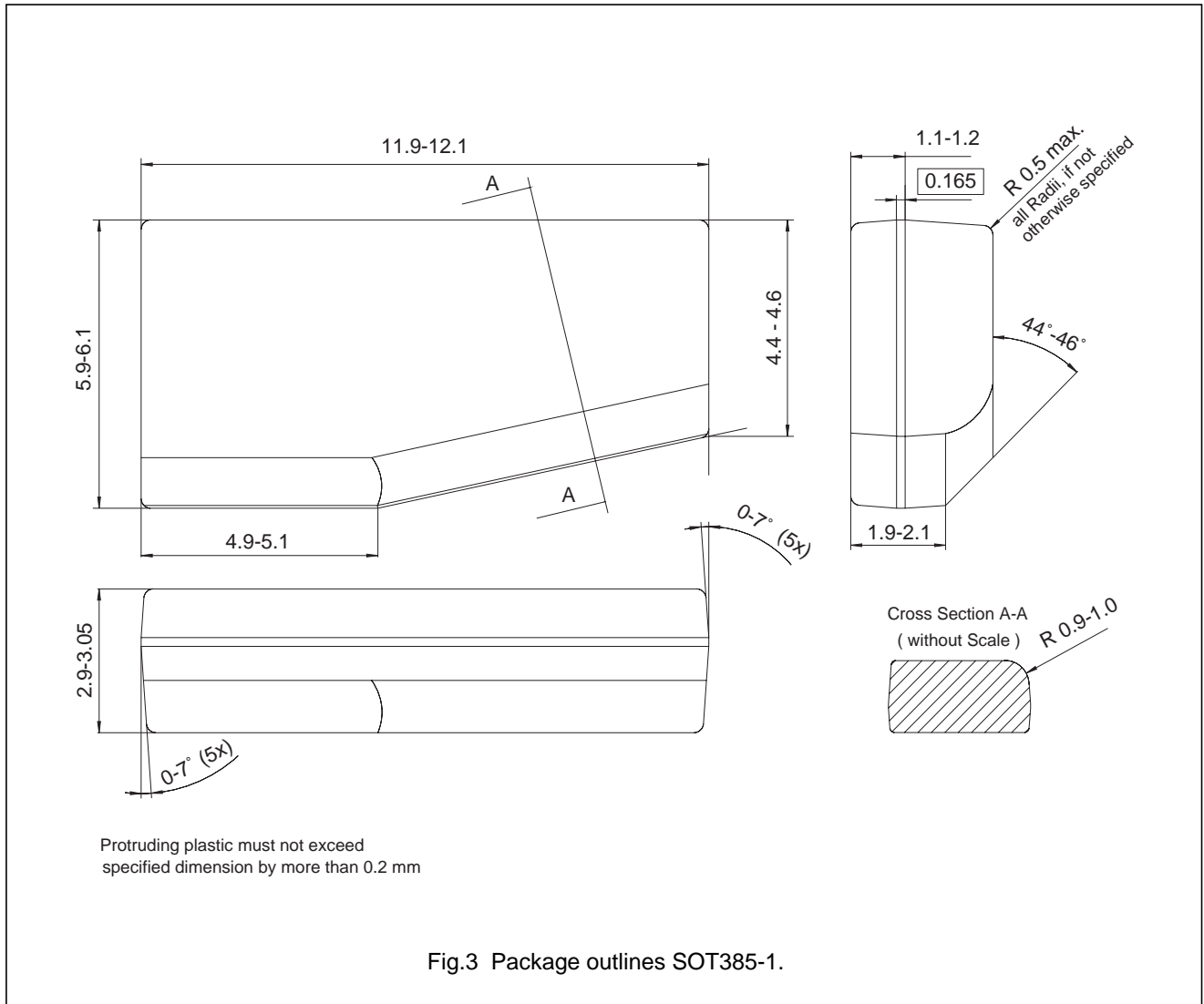
HITAG™1 Stick Transponder

HT1 DC20 S30

10 MECHANICAL CHARACTERISTICS

The transponder is sealed in epoxy resin moulding compound. The outline of the package is given in Fig.3. The designation of the package is SOT385-1.

PARAMETER	VALUE	UNIT
mechanical dimensions	12 x 6 x 3	mm
protection class	IP67	
casting material	epoxy resin	



HITAG™1 Stick Transponder

HT1 DC20 S30

11 DEFINITIONS

Data sheet status	
Objective specification	This data sheet contains target or goal specifications for product development.
Preliminary specification	This data sheet contains preliminary data; supplementary data may be published later.
Product specification	This data sheet contains final product specifications.
Limiting values	
Limiting values given are in accordance with the Absolute Maximum Rating System (IEC 134). Stress above one or more of the limiting values may cause permanent damage to the device. These are stress ratings only and operation of the device at these or at any other conditions above those given in the Characteristics sections of the specification is not implied. Exposure to limiting values for extended periods may affect device reliability.	
Application information	
Where application information is given, it is advisory and does not form part of the specification.	

12 LIFE SUPPORT APPLICATIONS

These products are not designed for use in life support appliances, devices, or systems where malfunction of these products can reasonably be expected to result in personal injury. Philips customers using or selling these products for use in such applications do so on their own risk and agree to fully indemnify Philips for any damages resulting from such improper use or sale.

HITAG™1 Stick Transponder**HT1 DC20 S30**

13 REVISION HISTORY**Table 1** HITAG™1 Stick Transponder Revision History

REVISION	DATE	CPCN	PAGE	DESCRIPTION
3.0	April 2000	-		Initial version.

HITAG™1 Stick Transponder

HT1 DC20 S30

NOTES

Philips Semiconductors – a worldwide company

Argentina: see South America

Australia: 34 Waterloo Road, NORTH RYDE, NSW 2113, Tel. +61 2 9805 4455, Fax. +61 2 9805 4466

Austria: Computerstr. 6, A-1101 WIEN, P.O. Box 213, Tel. +43 160 1010, Fax. +43 160 101 1210

Belarus: Hotel Minsk Business Center, Bld. 3, r. 1211, Volodarski Str. 6, 220050 MINSK, Tel. +375 172 200 733, Fax. +375 172 200 773

Belgium: see The Netherlands

Brazil: see South America

Bulgaria: Philips Bulgaria Ltd., Energoproject, 15th floor, 51 James Bourchier Blvd., 1407 SOFIA, Tel. +359 2 689 211, Fax. +359 2 689 102

Canada: PHILIPS SEMICONDUCTORS/COMPONENTS, Tel. +1 800 234 7381

China/Hong Kong: 501 Hong Kong Industrial Technology Centre, 72 Tat Chee Avenue, Kowloon Tong, HONG KONG, Tel. +852 2319 7888, Fax. +852 2319 7700

Colombia: see South America

Czech Republic: see Austria

Denmark: Prags Boulevard 80, PB 1919, DK-2300 COPENHAGEN S, Tel. +45 32 88 2636, Fax. +45 31 57 0044

Finland: Sinikalliontie 3, FIN-02630 ESPOO, Tel. +358 9 615800, Fax. +358 9 61580920

France: 4 Rue du Port-aux-Vins, BP317, 92156 SURESNES Cedex, Tel. +33 1 40 99 6161, Fax. +33 1 40 99 6427

Germany: Hammerbrookstraße 69, D-20097 HAMBURG, Tel. +49 40 23 53 60, Fax. +49 40 23 536 300

Greece: No. 15, 25th March Street, GR 17778 TAVROS/ATHENS, Tel. +30 1 4894 339/239, Fax. +30 1 4814 240

Hungary: see Austria

India: Philips INDIA Ltd, Band Box Building, 2nd floor, 254-D, Dr. Annie Besant Road, Worli, MUMBAI 400 025, Tel. +91 22 493 8541, Fax. +91 22 493 0966

Indonesia: see Singapore

Ireland: Newstead, Clonskeagh, DUBLIN 14, Tel. +353 1 7640 000, Fax. +353 1 7640 200

Israel: RAPAC Electronics, 7 Kehilat Saloniki St, PO Box 18053, TEL AVIV 61180, Tel. +972 3 645 0444, Fax. +972 3 649 1007

Italy: PHILIPS SEMICONDUCTORS, Piazza IV Novembre 3, 20124 MILANO, Tel. +39 2 6752 2531, Fax. +39 2 6752 2557

Japan: Philips Bldg 13-37, Kohnan 2-chome, Minato-ku, TOKYO 108, Tel. +81 3 3740 5130, Fax. +81 3 3740 5077

Korea: Philips House, 260-199 Itaewon-dong, Yongsan-ku, SEOUL, Tel. +82 2 709 1412, Fax. +82 2 709 1415

Malaysia: No. 76 Jalan Universiti, 46200 PETALING JAYA, SELANGOR, Tel. +60 3 750 5214, Fax. +60 3 757 4880

Mexico: 5900 Gateway East, Suite 200, EL PASO, TEXAS 79905, Tel. +9-5 800 234 7381

Middle East: see Italy

Netherlands: Postbus 90050, 5600 PB EINDHOVEN, Bldg. VB, Tel. +31 40 27 82785, Fax. +31 40 27 88399

New Zealand: 2 Wagener Place, C.P.O. Box 1041, AUCKLAND, Tel. +64 9 849 4160, Fax. +64 9 849 7811

Norway: Box 1, Manglerud 0612, OSLO, Tel. +47 22 74 8000, Fax. +47 22 74 8341

Philippines: Philips Semiconductors Philippines Inc., 106 Valero St. Salcedo Village, P.O. Box 2108 MCC, MAKATI, Metro MANILA, Tel. +63 2 816 6380, Fax. +63 2 817 3474

Poland: Ul. Lukiska 10, PL 04-123 WARSZAWA, Tel. +48 22 612 2831, Fax. +48 22 612 2327

Portugal: see Spain

Romania: see Italy

Russia: Philips Russia, Ul. Usatcheva 35A, 119048 MOSCOW, Tel. +7 095 755 6918, Fax. +7 095 755 6919

Singapore: Lorong 1, Toa Payoh, SINGAPORE 1231, Tel. +65 350 2538, Fax. +65 251 6500

Slovakia: see Austria

Slovenia: see Italy

South Africa: S.A. PHILIPS Pty Ltd., 195-215 Main Road Martindale, 2092 JOHANNESBURG, P.O. Box 7430 Johannesburg 2000, Tel. +27 11 470 5911, Fax. +27 11 470 5494

South America: Rua do Rocio 220, 5th floor, Suite 51, 04552-903 São Paulo, SÃO PAULO - SP, Brazil, Tel. +55 11 821 2333, Fax. +55 11 829 1849

Spain: Balmes 22, 08007 BARCELONA, Tel. +34 3 301 6312, Fax. +34 3 301 4107

Sweden: Kottbygatan 7, Akalla, S-16485 STOCKHOLM, Tel. +46 8 632 2000, Fax. +46 8 632 2745

Switzerland: Allmendstrasse 140, CH-8027 ZÜRICH, Tel. +41 1 488 2686, Fax. +41 1 481 7730

Taiwan: Philips Semiconductors, 6F, No. 96, Chien Kuo N. Rd., Sec. 1, TAIPEI, Taiwan Tel. +886 2 2134 2865, Fax. +886 2 2134 2874

Thailand: PHILIPS ELECTRONICS (THAILAND) Ltd., 209/2 Sanpavuth-Bangna Road Prakanong, BANGKOK 10260, Tel. +66 2 745 4090, Fax. +66 2 398 0793

Turkey: Talatpasa Cad. No. 5, 80640 GÜLTEPE/ISTANBUL, Tel. +90 212 279 2770, Fax. +90 212 282 6707

Ukraine: PHILIPS UKRAINE, 4 Patrice Lumumba str., Building B, Floor 7, 252042 KIEV, Tel. +380 44 264 2776, Fax. +380 44 268 0461

United Kingdom: Philips Semiconductors Ltd., 276 Bath Road, Hayes, MIDDLESEX UB3 5BX, Tel. +44 181 730 5000, Fax. +44 181 754 8421

United States: 811 East Arques Avenue, SUNNYVALE, CA 94088-3409, Tel. +1 800 234 7381

Uruguay: see South America

Vietnam: see Singapore

Yugoslavia: PHILIPS, Trg N. Pasica 5/v, 11000 BEOGRAD, Tel. +381 11 625 344, Fax. +381 11 635 777

For all other countries apply to: Philips Semiconductors, Marketing & Sales Communications, Building BE-p, P.O. Box 218, 5600 MD EINDHOVEN, The Netherlands, Fax. +31 40 27 24825

Internet: <http://www.semiconductors.philips.com>

© Philips Electronics N.V. 1997

SCA55

All rights are reserved. Reproduction in whole or in part is prohibited without the prior written consent of the copyright owner.

The information presented in this document does not form part of any quotation or contract, is believed to be accurate and reliable and may be changed without notice. No liability will be accepted by the publisher for any consequence of its use. Publication thereof does not convey nor imply any license under patent- or other industrial or intellectual property rights.

Let's make things better.

**Philips
Semiconductors**



PHILIPS