

MF0ICU1

Functional specification MIFARE Ultralight

Rev. 3.4 - 4 February 2008
028634

Product data sheet
PUBLIC

1. General description

NXP has developed the MIFARE MF0ICU1 to be used with Proximity Coupling Devices (PCD) according to ISO/IEC14443 Type A, it can act as single trip tickets in public transportation networks, loyalty cards or day passes for events. They are the ideal replacement for conventional ticketing solutions such as paper tickets, magnetic stripe tickets or coins.

As the usage of contactless proximity smart cards becomes more and more common, transport and event operators are beginning to switch to completely contactless solutions. The introduction of the MIFARE Ultralight for limited use tickets will lead to a reduction of system installation and maintenance costs. Terminals will be less vulnerable to damages and mechanical failures caused by ticket jams. MF0ICU1 can be easily be integrated into existing schemes and even standard paper ticket vending equipment can be upgraded. In addition this solution for low cost tickets can help operators to reduce fraud and the circulation of cash within the system.

The mechanical and electrical specifications of MIFARE Ultralight are tailored to meet the requirements of paper ticket manufacturers.

1.1 Key applications

- Limited use tickets in public transport
- Limited use tickets in event ticketing

1.2 Contactless energy and data transfer

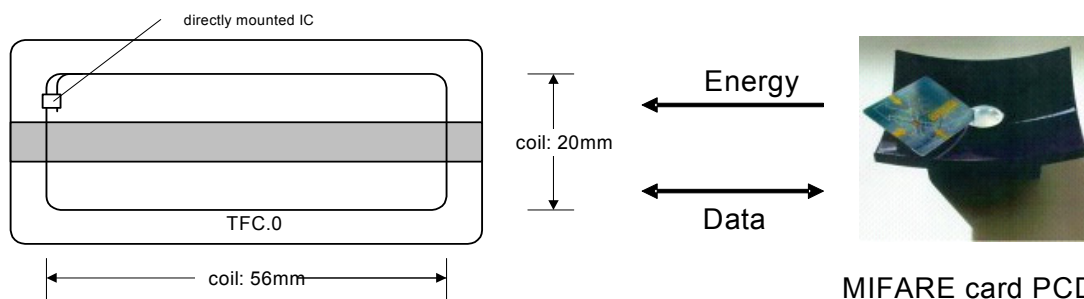
MF0ICU1 is connected to a coil with a few turns. The MF0ICU1 fits for the TFC.0 (Edmonson) and TFC.1 ticket formats as defined in EN753-2.

TFC.1 ticket formats are supported by the MF0ICU10 chip featuring an on-chip resonance capacitor of 17 pF.

The smaller TFC.0 tickets are supported by the MF0ICU11 chip holding an on-chip resonance capacitor of 50 pF.

1.3 Anticollision

An intelligent anticollision function allows to operate more than one card in the field simultaneously. The anticollision algorithm selects each card individually and ensures that the execution of a transaction with a selected card is performed correctly without data corruption resulting from other cards in the field.



- (1) Evaluations show that with the above configuration (6 turn coil) of a ticket about 8cm operation distance can be achieved with a MIFARE Demo-system.

Fig 1. MIFARE card reader

1.3.1 Cascaded UID

The anticollision function is based on an IC individual serial number called Unique IDentification. The UID of the MF0ICU1 is 7 bytes long and supports cascade level 2 according to ISO/IEC14443-3.

1.4 Security

The 7 byte UID is programmed into each device during production and locked. The UID may be used to derive diversified keys per ticket within a cryptographic system.

The 32 Bit OTP area provides write once operations e.g. for a one-time counter. It may be used for permanent de-validation of a ticket.

The field programmable read-only locking function allows to fix data per page to an unchangeable value. This function may be used to uniquely program the device for a dedicated application.

1.5 Delivery options

MF0ICU1 can be delivered packaged or on wafer, please see delivery type description for more information.

2. Features

2.1 MIFARE, RF Interface (ISO/IEC 14443 A)

- Contactless transmission of data and supply energy (no battery needed)
- Operating distance: Up to 100 mm (depending on antenna geometry)
- Operating frequency: 13.56 MHz
- Data transfer: 106 kbit/s
- Data integrity: 16 Bit CRC, parity, bit coding, bit counting
- Anticollision
- 7 byte serial number (cascade level 2 according to ISO/IEC14443-3)
- Typical ticketing transaction: < 35 ms
- Fast counter transaction: < 10 ms

2.2 EEPROM

- 512 bit, organised in 16 pages with 4 byte each
- Field programmable read-only locking function per page
- 32 bit user definable One Time Programmable (OTP) area
- 384 bit user r/w area (12 pages)
- Data retention of 5 years
- Write endurance 10000 cycles

2.3 Security

- 7 byte UID for each device (according ISO/IEC 14443-3)
- 32 bit user programmable OTP area
- Field programmable read-only locking function per page

3. Ordering information

[See Delivery Type Addendum of Device](#)

4. Block diagram

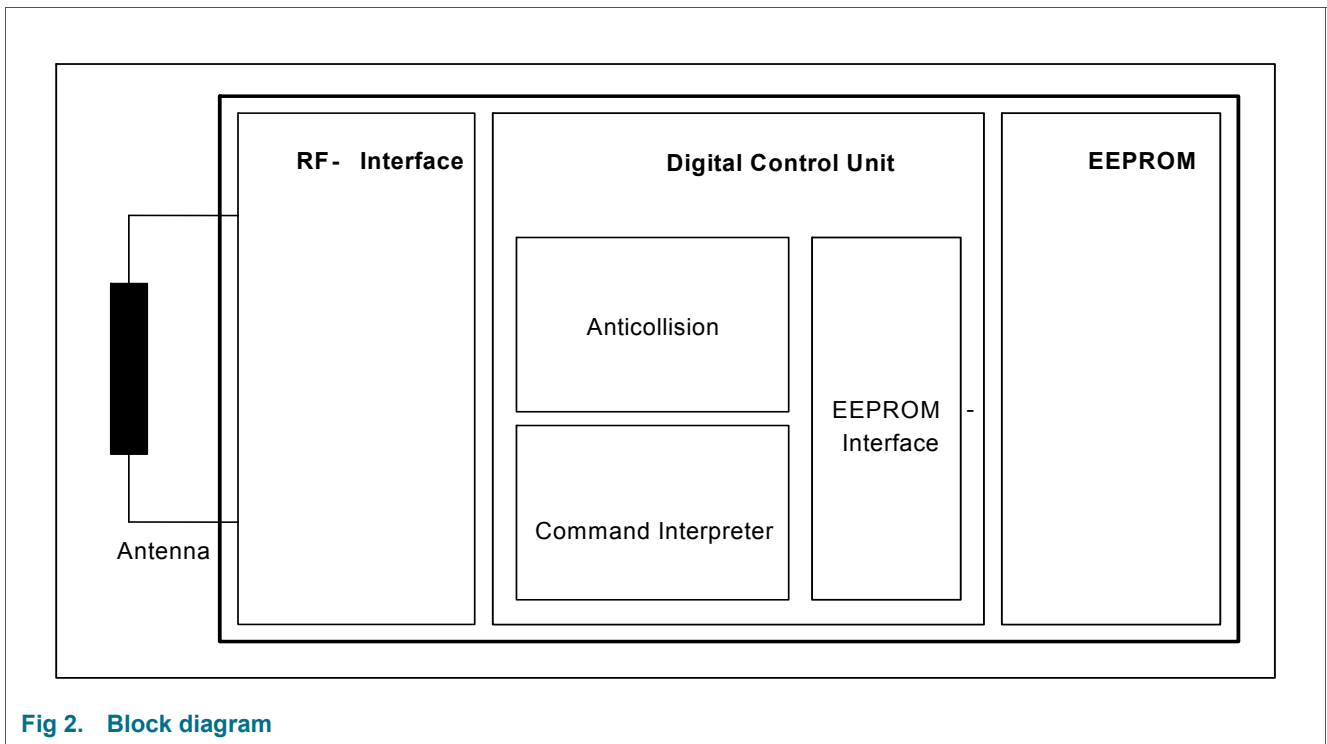


Fig 2. Block diagram

5. Pinning information

5.1 Pinning

[See Delivery Type Addendum of Device](#)

6. Functional description

6.1 Block description

The MF0ICU1 chip consists of the 512 bit EEPROM, the RF-Interface and the Digital Control Unit. Energy and data are transferred via an antenna, which consists of a coil with a few turns directly connected to the MF0ICU1. No further external components are necessary. (For details on antenna design please refer to the document MIFARE (Card) IC Coil Design Guide.)

- RF-Interface:
 - Modulator/Demodulator
 - Rectifier
 - Clock Regenerator
 - Power On Reset
 - Voltage Regulator
- Anticollision: Several cards in the field may be selected and operated in sequence
- Command Interpreter: Handles the commands supported by the MF0 IC U1 in order to access the memory
- EEPROM-Interface
- EEPROM: 512 bits are organized in 0x16 pages with 4 bytes each. 80 bits are reserved for manufacturer data. 16 bits are used for the read-only locking mechanism. 32 bits are available as OTP area. 384 bits are user programmable read/write memory.

6.2 Communication principle

The commands are initiated by the PCD and controlled by the Command Interpreter of the MF0ICU1. It handles the internal states and generates the appropriate responses.

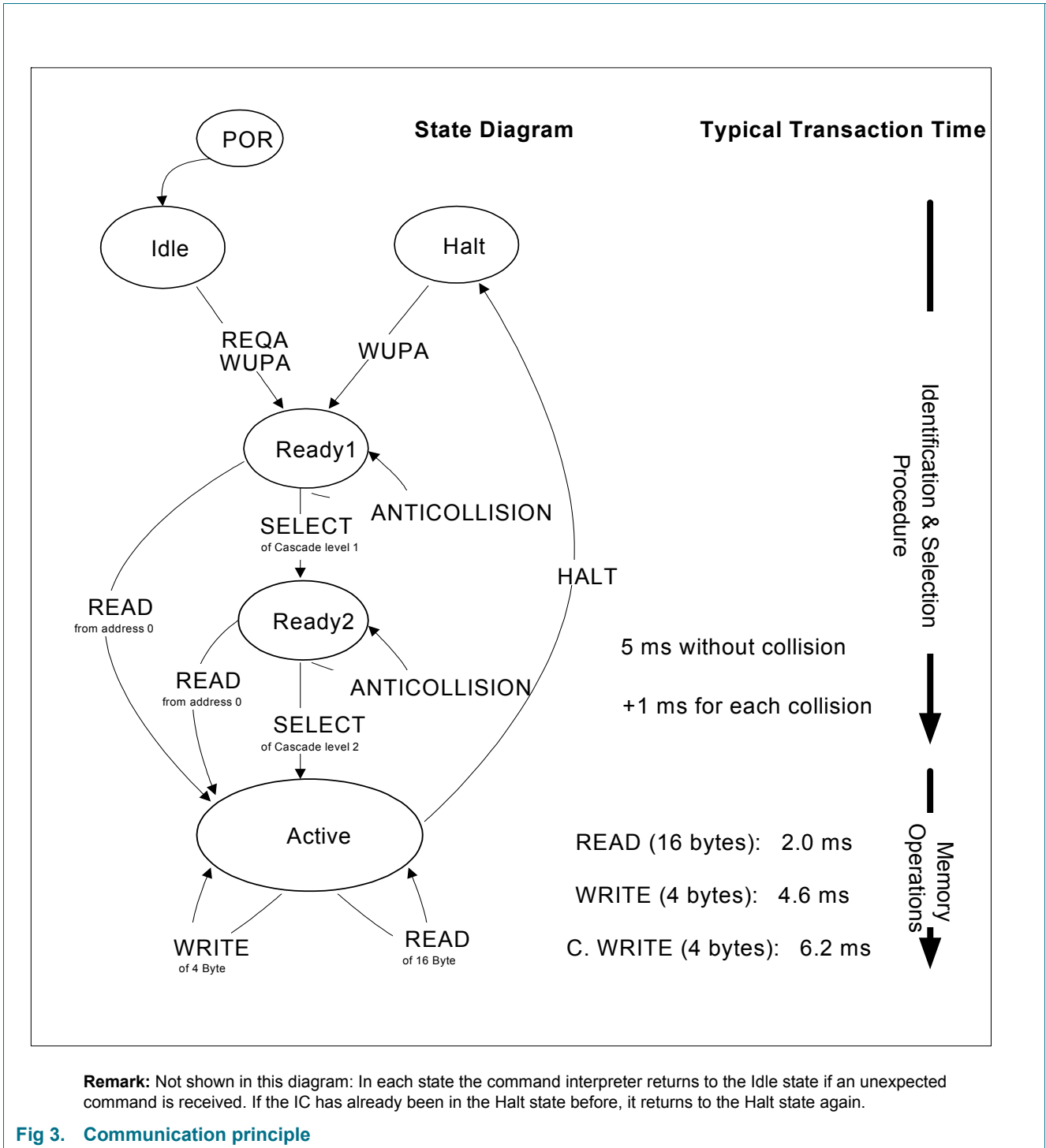


Fig 3. Communication principle

6.2.1 Idle

After Power On Reset (POR) the MF0ICU1 jumps directly into the Idle state. With a REQA or a WUPA command sent from the PCD it leaves this state. Any other data received in this state is interpreted as an error and the MF0ICU1 remains waiting in the Idle state.

After a correctly executed HALT command, the Halt state becomes the waiting state, which can be left via a WUPA command.

6.2.2 Ready1

In this state the MF0ICU1 supports the PCD in resolving the first part of its UID (3 bytes) with the ANTICOLLISION or a SELECT command of cascade level 1. This state is left correctly after one of two commands:

- With the SELECT command of cascade level 1 the PCD brings the MF0ICU1 into state Ready2 where the second part of the UID has to be resolved.
- With the READ (from address 0) command the complete anticollision mechanism may be skipped and the MF0ICU1 jumps directly into the Active state.

Remark: If more than one MF0ICU1 is in the field of the PCD, a read from address 0 will cause a collision because of the different serial numbers, but all MF0ICU1 devices will be selected! Any other data received in state Ready1 state is interpreted as an error and the MF0 IC U1 jumps back to its waiting state (IDLE or HALT, depending on it's previous state).

6.2.3 Ready2

In this state, which is similar to state Ready1, the MF0ICU1 supports the PCD in resolving the second part of its UID (4 bytes) with the ANTICOLLISION command of cascade level 2. This state is usually left with the SELECT command of cascade level 2.

Alternatively, state Ready2 may be skipped via a READ (from address 0) command as described in state Ready1.

Remark: If more than one MF0ICU1 is in the field of the PCD, a read from address 0 will cause a collision because of the different serial numbers, but all MF0 IC U1 devices will be selected! The response of the MF0ICU1 to the SELECT of cascade level 2 command is the SAK (Select Acknowledge) byte. According to ISO/IEC14443 this byte indicates whether the anticollision cascade procedure is finished. In addition it defines for the MIFARE architecture platform the type of the selected device. Now the MF0ICU1 is uniquely selected and only this device will continue communication with the PCD even if other contactless devices are in the field of the PCD. Any other data received in this state is interpreted as an error and the MF0 IC U1 jumps back to its waiting state (IDLE or HALT, depending on it's previous state).

6.2.4 Active

In the Active state either a READ (16 bytes) or a WRITE (4 bytes) command may be performed. The correct way to leave this state is to send a HALT command. Any other data received in this state is interpreted as an error and the MF0ICU1 jumps back to its waiting state (IDLE or HALT, depending on it's previous state).

6.2.5 Halt

Besides the Idle state the Halt state constitutes the second waiting state implemented in the MF0ICU1. A MF0ICU1 that has already been processed can be set into this state via the HALT command. This state helps the PCD in the anticollision phase to distinguish between already processed cards and cards that have not been selected yet. The only way to get the MF0ICU1 out of this state is the WUPA command. Any other data received in this state is interpreted as an error and the MF0ICU1 remains in this state. For a correct implementation of an anticollision procedure based on the usage of the Idle and Halt states and the REQA and WUPA commands please refer to the document MIFARE collection of currently available application Notes.

6.3 Data integrity

The following mechanisms are implemented in the contactless communication link between PCD and MF0ICU1 to ensure a reliable data transmission:

- 16 bits CRC per block
- Parity bits for each byte
- Bit count checking
- Bit coding to distinguish between "1", "0", and no information
- Channel monitoring (protocol sequence and bit stream analysis)

6.4 RF interface

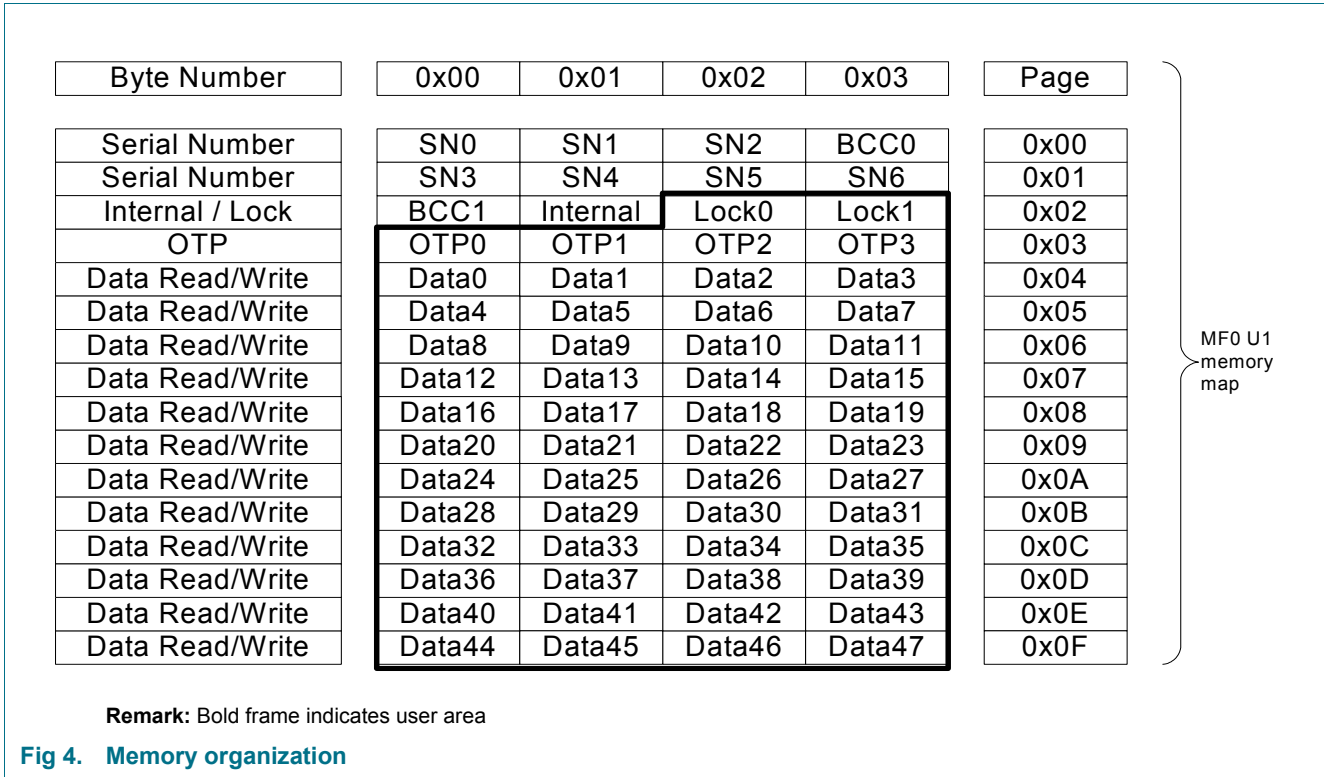
The RF-interface is according to the standard for contactless smart cards ISO/IEC 14443 type A.

The RF-field from the PCD is always present (with short pauses when transmitting), because it is used for the power supply of the card.

For both directions of data communication there is only one start bit at the beginning of each frame. Each byte is transmitted with a parity bit (odd parity) at the end. The LSB of the byte with the lowest address of the selected block is transmitted first. The maximum frame length is 163 bits (16 data bytes + 2 CRC bytes = $16 * 9 + 2 * 9 + 1$ start bit).

6.5 Memory organization

The 512 bit EEPROM memory is organised in 0x16 pages with 4 bytes each. In the erased state the EEPROM cells are read as a logical “0”, in the written state as a logical “1”.



6.5.1 UID/serial number

The unique 7 byte serial number (UID) and its two Check Bytes are programmed into the first 9 bytes of the memory. It therefore covers page 0x00, page 0x01 and the first byte of page 0x02. The second byte of page 0x02 is reserved for internal data. Due to security and system requirements these bytes are write-protected after having been programmed by the IC manufacturer after production.

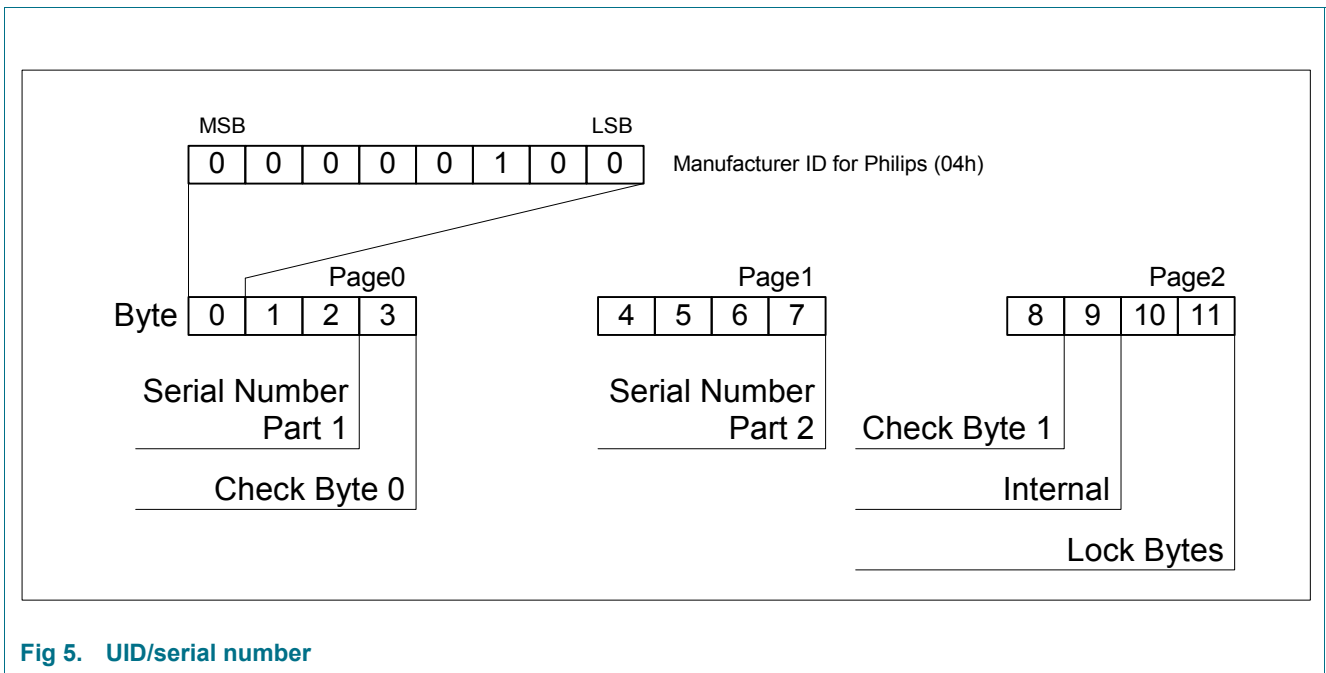


Fig 5. UID/serial number

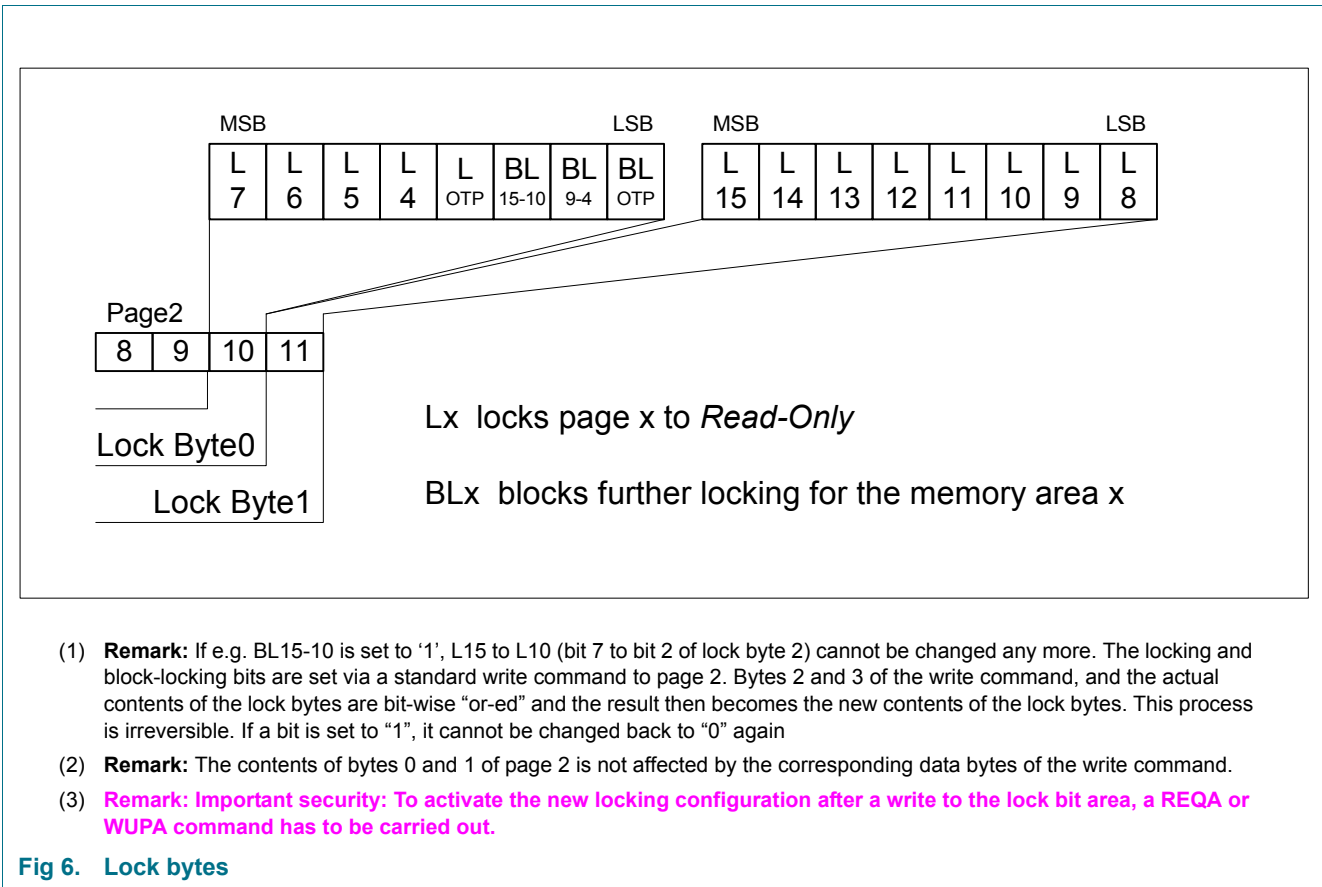
According to ISO/IEC14443-3 Check Byte0 (BCC0) is defined as $CT \oplus SN0 \oplus SN1 \oplus SN2$ and Check Byte 1 (BCC1) is defined as $SN3 \oplus SN4 \oplus SN5 \oplus SN6$.

SN0 holds the Manufacturer ID for NXP (0x04) according to ISO/IEC14443-3 and ISO/IEC.7816-6 AMD.1.

6.5.2 Lock bytes

The bits of Byte 0x02 and 0x03 of page 0x02 represent the field-programmable read-only locking mechanism. Each page x from 0x03 (OTP) to 0x0E may be locked individually to prevent further write access by setting the corresponding locking bit Lx to 1. After locking the page is read-only memory.

The 3 least significant bits of lock byte 0 are the block-locking bits. Bit 2 handles pages 0x0E to 0x10, bit 0x01 pages 0x09 to 0x04 and bit 0x00 page 0x03 (OTP). Once the block-locking bits are set the locking configuration for the corresponding memory area is frozen.

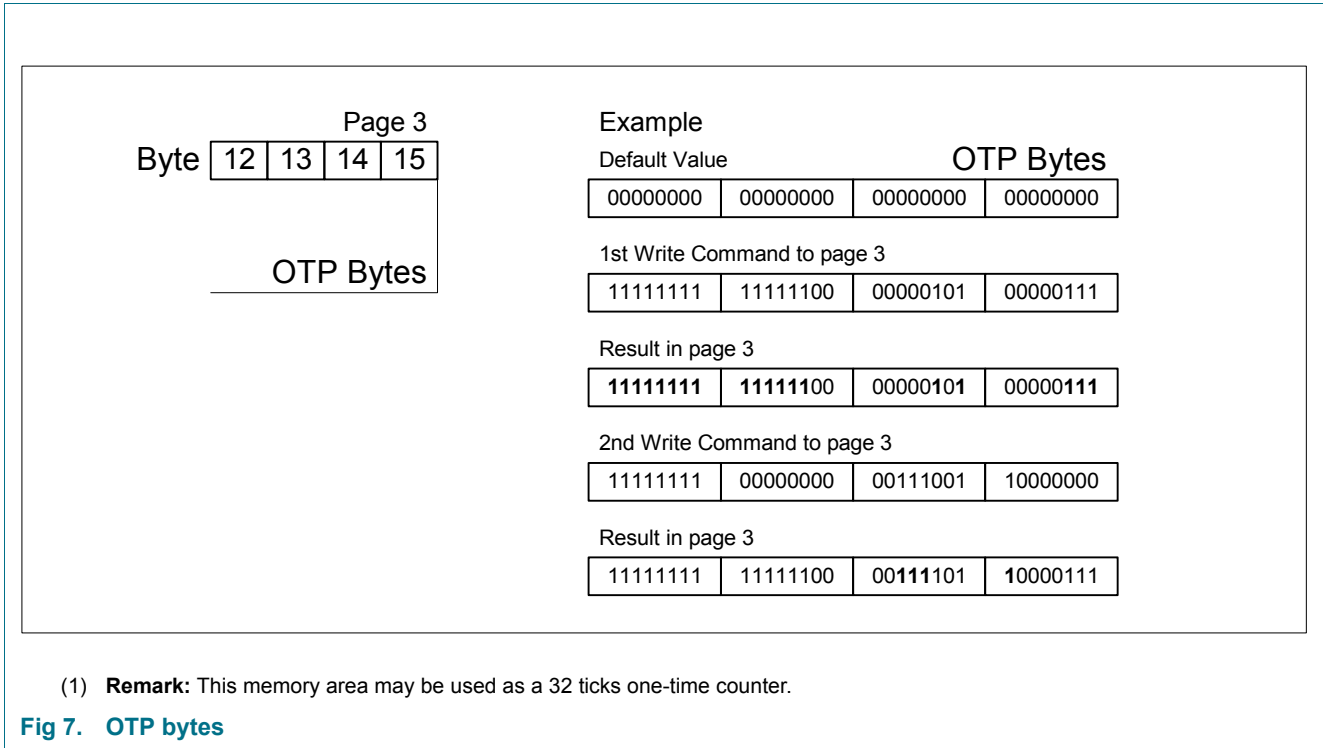


- (1) **Remark:** If e.g. BL15-10 is set to '1', L15 to L10 (bit 7 to bit 2 of lock byte 2) cannot be changed any more. The locking and block-locking bits are set via a standard write command to page 2. Bytes 2 and 3 of the write command, and the actual contents of the lock bytes are bit-wise "or-ed" and the result then becomes the new contents of the lock bytes. This process is irreversible. If a bit is set to "1", it cannot be changed back to "0" again
- (2) **Remark:** The contents of bytes 0 and 1 of page 2 is not affected by the corresponding data bytes of the write command.
- (3) **Remark: Important security: To activate the new locking configuration after a write to the lock bit area, a REQA or WUPA command has to be carried out.**

Fig 6. Lock bytes

6.5.3 OTP bytes

Page 0x03 is the OTP page. It is pre-set to all “0” after production. These bytes may be bit-wise modified by a write command.



The bytes of the write command and the current contents of the OTP bytes are bit-wise “or-ed” and the result becomes the new contents of the OTP bytes. This process is irreversible. If a bit is set to “1”, it cannot be changed back to “0” again.

6.5.4 Data pages

Pages 0x04 to 0x15 constitute the user read/write area. After production the data pages are initialised to all “0”.

6.6 Command set

The MF0ICU1 comprises the following command set:

6.6.1 REQA

Table 1. REQA

| Code | Parameter | Data | Integrity mechanism | Response |
|--------------|-----------|------|---------------------|----------|
| 0x26 (7 Bit) | - | - | Parity | 0x0044 |

Description: The MF0ICU1 accepts the REQA command in Idle state only. The response is the 2-byte ATQA (0x0044). REQA and ATQA are implemented fully according to ISO/IEC14443-3.

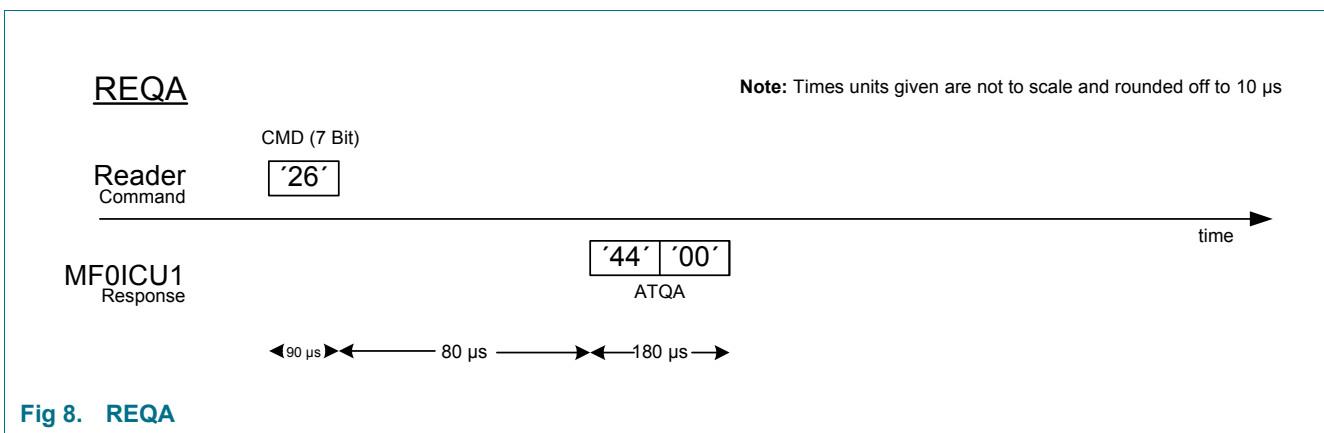


Fig 8. REQA

6.6.2 WUPA

Table 2. WUPA

| Code | Parameter | Data | Integrity mechanism | Response |
|-------------|-----------|------|---------------------|----------|
| 0x52 (7Bit) | - | - | Parity | 0x0044 |

Description: The MF0ICU1 accepts the WUPA command in the Idle and Halt state only. The response is the 2-byte ATQA (0x0044). WUPA is implemented fully according to ISO/IEC14443-3.

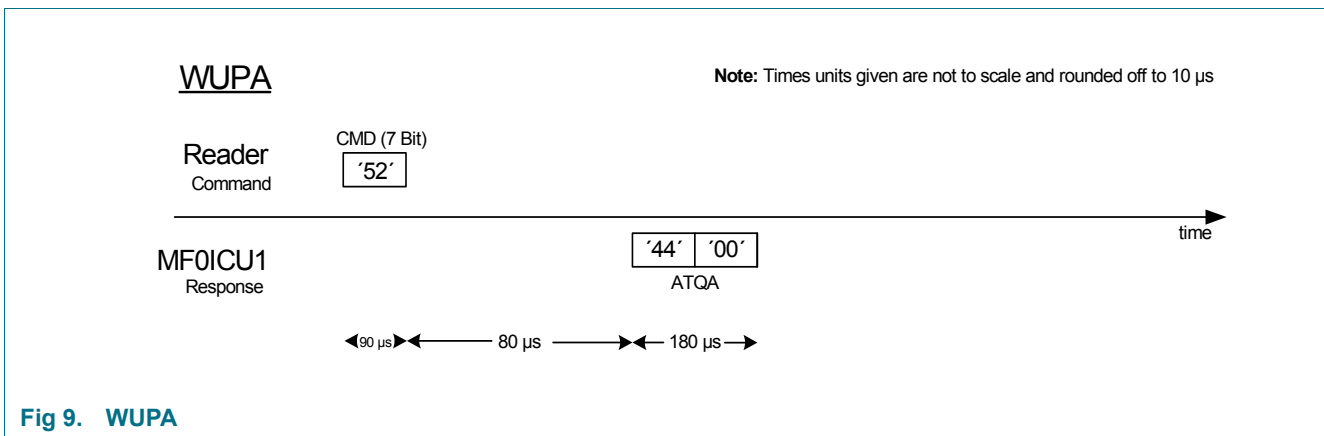


Fig 9. WUPA

6.6.3 ANTICOLLISION and SELECT of cascade level 1

Table 3. ANTICOLLISION and SELECT of cascade level 1

| Code | Parameter | Data | Integrity mechanism | Response |
|---------------------|-------------|----------------------|---------------------|--------------|
| Anticollision: 0x93 | 0x20 – 0x67 | Part of the UID | Parity | Parts of UID |
| Select: 0x93 | 0x70 | First 3 bytes of UID | Parity, BCC, CRC | SAK ('04') |

Description: The ANTICOLLISION and SELECT commands are based on the same command code. They differ only in the Parameter byte. This byte is per definition 0x70 in case of SELECT. The MF01CU1 accepts these commands in the Ready1 state only. The response is part 1 of the UID.

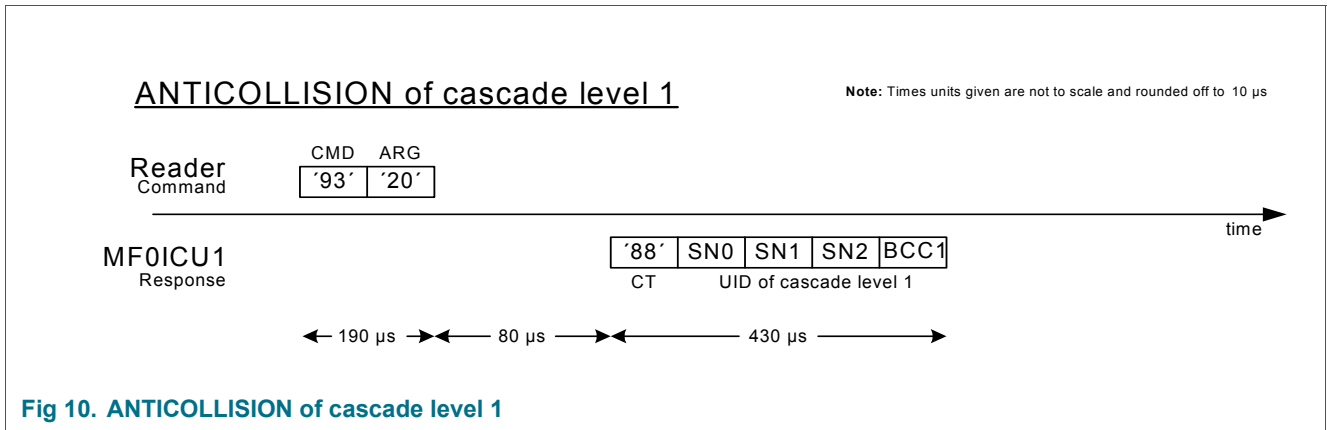


Fig 10. ANTICOLLISION of cascade level 1

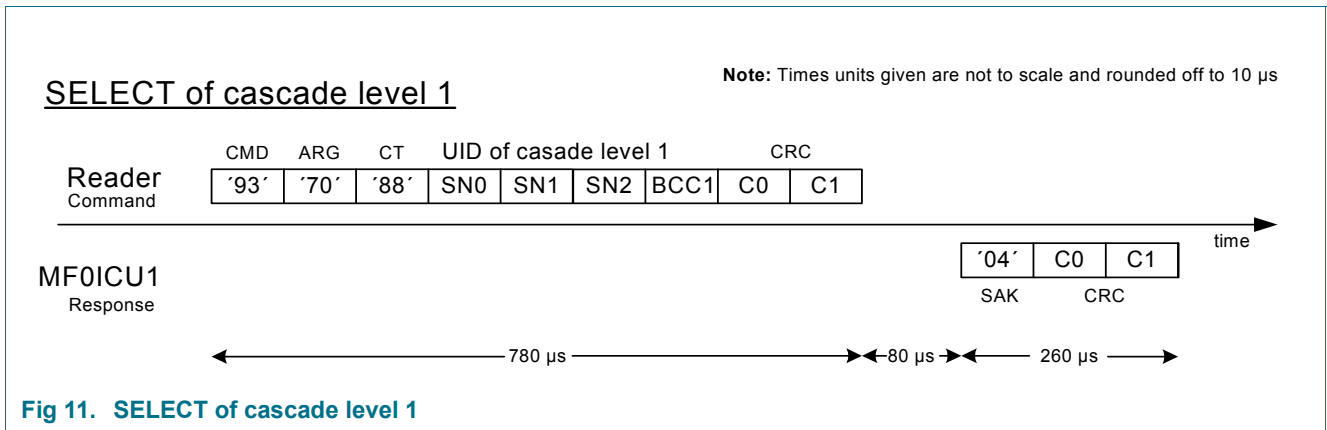


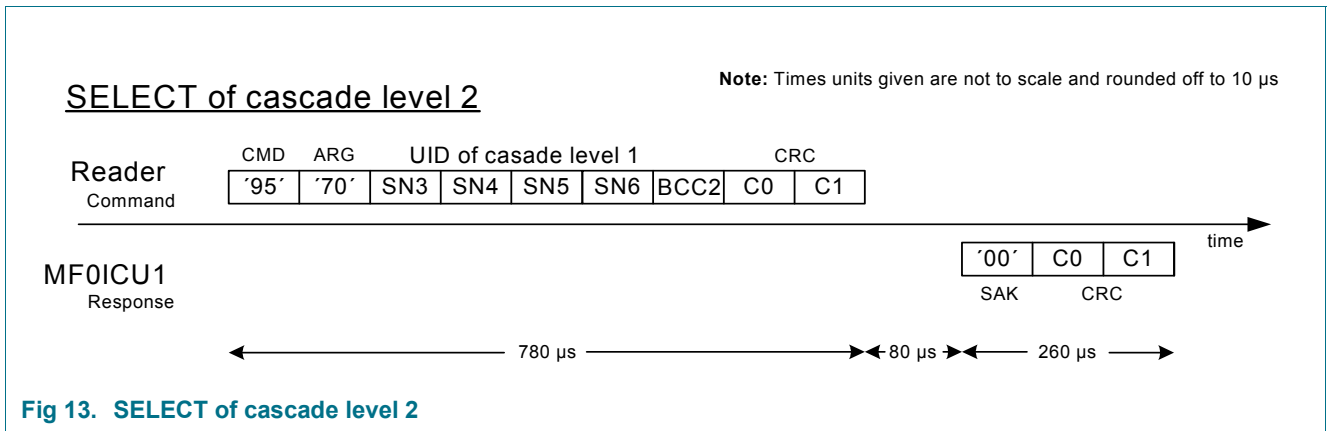
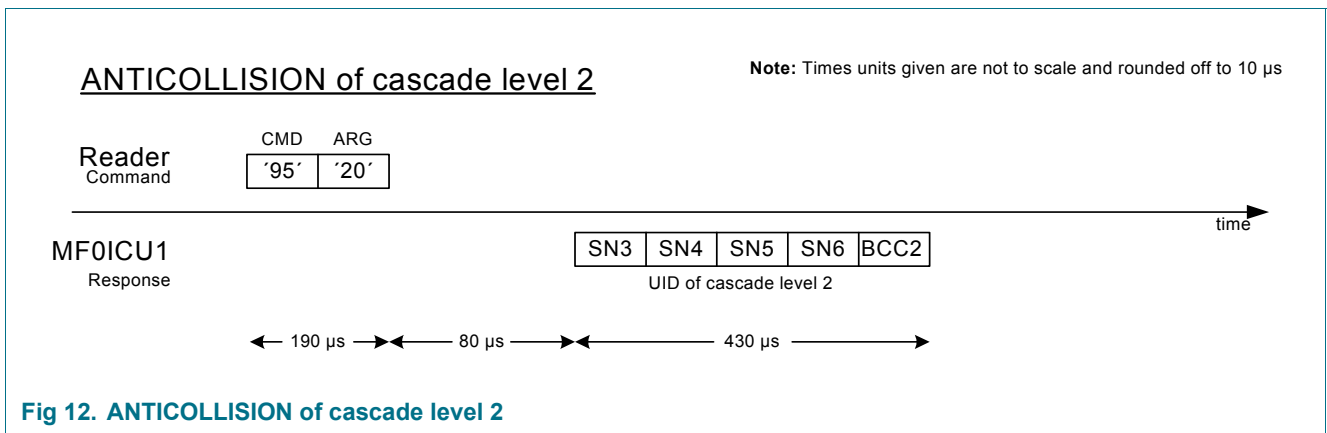
Fig 11. SELECT of cascade level 1

6.6.4 ANTICOLLISION and SELECT of cascade level 2

Table 4. ANTICOLLISION and SELECT of cascade level 2

| Code | Parameter | Data | Integrity mechanism | Response |
|---------------------|-------------|-----------------------|---------------------|--------------|
| Anticollision: 0x95 | 0x20 – 0x67 | Part of the UID | Parity | Parts of UID |
| Select: 0x95 | 0x70 | Second 4 bytes of UID | Parity, BCC, CRC | SAK ('00') |

Description: The ANTICOLLISION and SELECT command are based on the same command code. They differ only in the parameter byte. This byte is per definition 0x70 in case of SELECT. The MF0ICU1 accepts these commands in the Ready2 state only. The response is part 2 of the UID.



6.6.5 Read

Table 5. Read

| Code | Parameter | Data | Integrity mechanism | Response |
|------|----------------|------|---------------------|--------------|
| 0x30 | ADR: 0X00-0X0F | - | CRC | 16 Byte Date |

Description: The READ command needs the page address as a parameter. Only addresses 0x00 to 0x0F are decoded. For higher addresses the MF0 IC U1 returns a NAK. The MF0ICU1 responds to the READ command by sending 16 bytes starting from the page address defined in the command (e.g. if ADR is '0x03' pages 0x03, 0x04, 0x05, 0x06 are returned). A roll back is implemented; e.g. if ADR is '0X0E', the contents of pages 0X0E, 0X0F, 0x00 and 0x01 is returned).

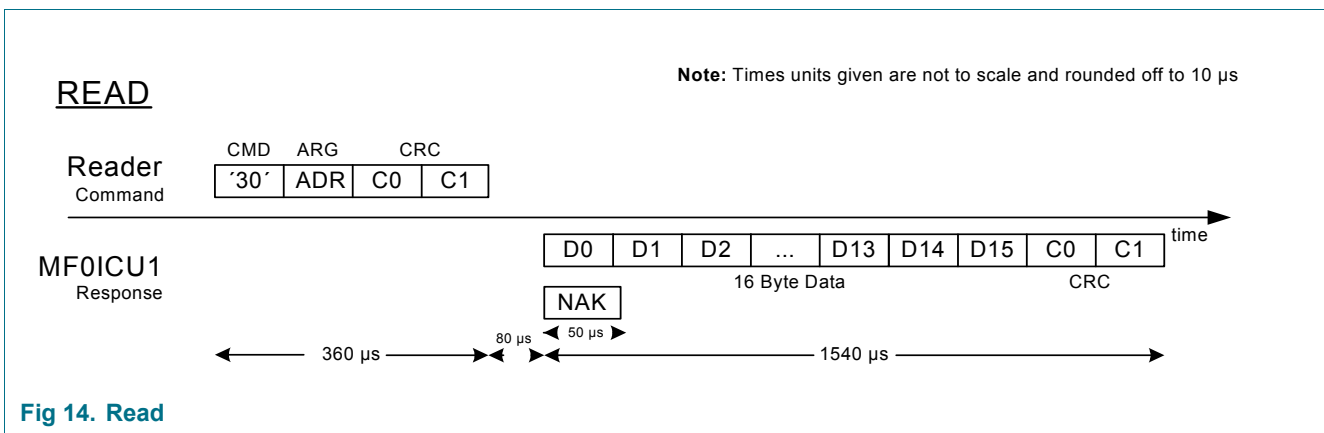


Fig 14. Read

6.6.6 Halt

Table 6. Halt

| Code | Parameter | Data | Integrity mechanism | Response |
|------|-----------|------|---------------------|-----------------|
| 0x50 | 0x00 | - | Parity, CRC | Passive AK, NAK |

Description: The HALT command is used to set already processed MF0 IC U1 devices into a different waiting state (Halt instead of Idle), which allows a simple separation between devices whose UIDs are already known (as they have already passed the anticollision procedure) and devices that have not yet been identified by their UIDs. This mechanism is a very efficient way of finding all contactless devices in the field of a PCD.

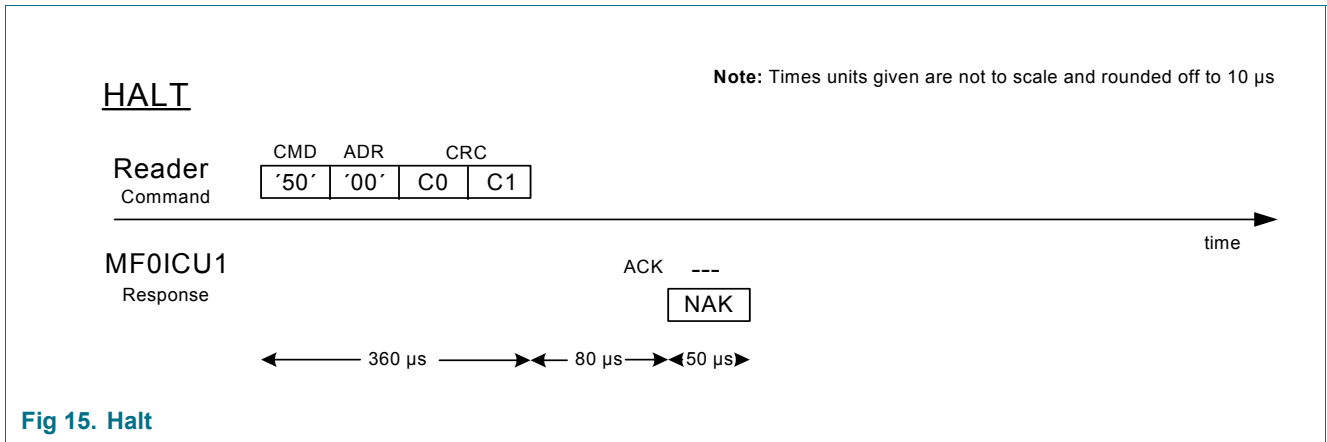


Fig 15. Halt

6.6.7 Write

Table 7. Write

| Code | Parameter | Data | Code | Parameter |
|------|----------------|--------|------|----------------|
| 0xA2 | ADR: 0X00-0X0F | 4 Byte | 0xA2 | ADR: '0' - '7' |

Description: The WRITE command is used to program the lock bytes in page 0x02, the OTP bytes in page 0x03 or the data bytes in pages 0X 04 to 0X0F. A WRITE command is performed page-wise, programming 4 bytes in a row.

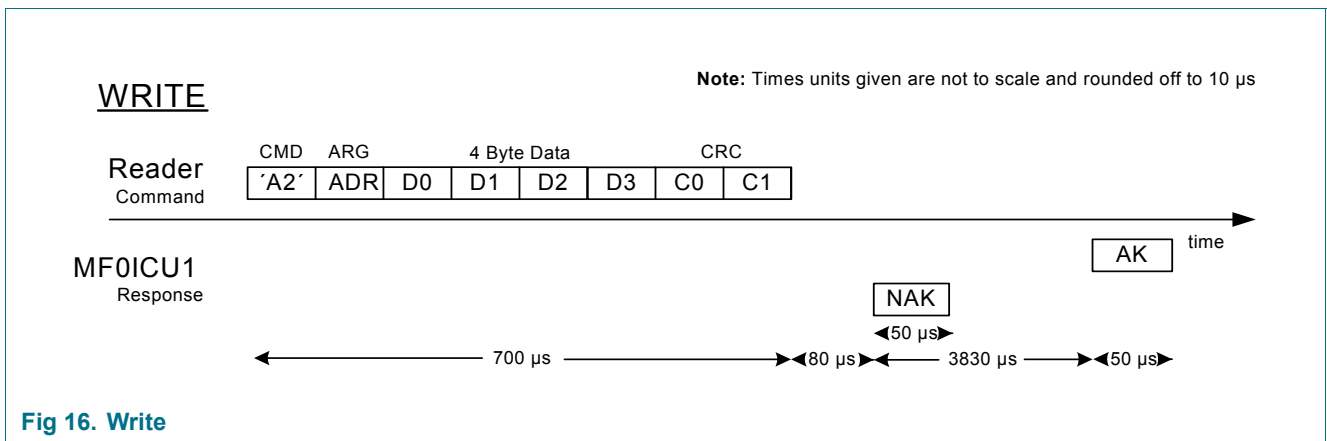


Fig 16. Write

6.6.8 Compatibility write

Table 8. Compatibility write

| Code | Parameter | Data | Integrity mechanism | Response |
|------|-------------------|---------|---------------------|-----------|
| 0xA0 | ADR: 0X00-0X0F | 16 Byte | Parity, CRC | AK or NAK |

Description: The COMPATIBILITY WRITE command was implemented to accommodate the established MIFARE PCD infrastructure. Even though 16 bytes are transferred to the MF0ICU1, only the least significant 4 bytes (bytes 0 to 3) will be written to the specified address. It is recommended to set the remaining bytes 0X04 to 0X0F to all '0'.

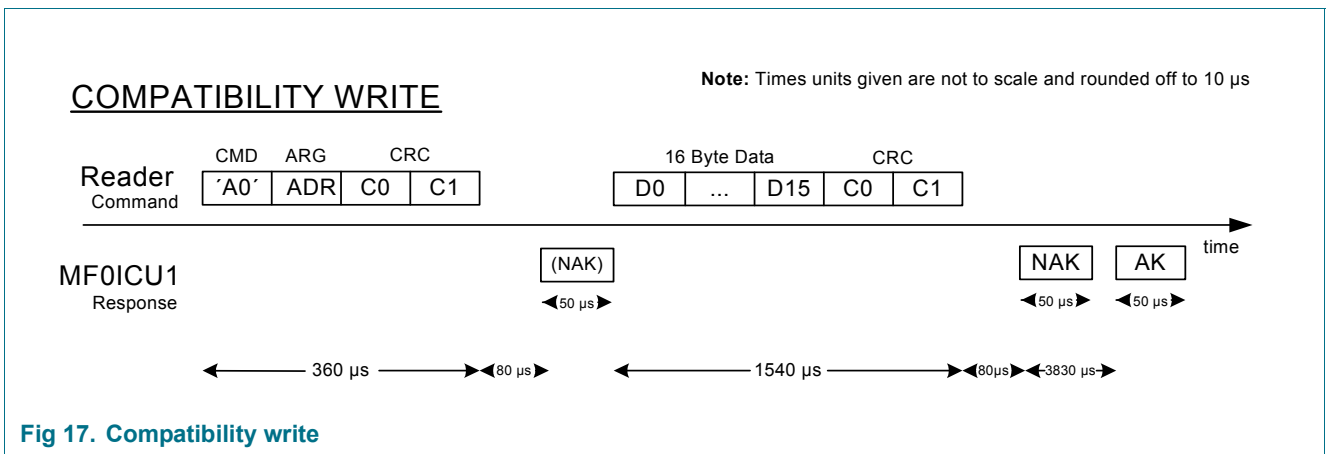


Fig 17. Compatibility write

6.7 Summary of relevant data for device identification

Table 9. Summary of relevant data for device identification

| Code | Type | Value | Binary Format | Remark |
|---------------------|-----------------------|--------|--|--|
| ATQA | 2 Byte | 0x0044 | 0000 0000 0100 0100 1 st '1' indicates cascade level 2 2 nd '1' indicates MIFARE family | Hard Coded |
| CT | 1 Byte Cascade Tag | 0x88 | 1000 1000 ensures collision with cascade level 1 products | Hard Coded |
| SAK (casc. level 1) | 1 Byte | 0x04 | 0000 0100 '1' indicates additional cascade level | Hard Coded |
| SAK (casc. level 2) | 1 Byte | 0x00 | 0000 0000 indicates complete UID and MF0 IC U1 functionality | Hard Coded |
| Manufacturer Byte | 1 Byte | 0x04 | 0000 0100 indicates manufacturer NXP | Acc. to ISO/IEC 14443-3 and ISO/IEC 7816-6 AMD.1 |

7. Limiting values

[See Delivery Type Addendum of Device](#)

8. Recommended operating conditions

[See Delivery Type Addendum of Device](#)

9. Characteristics

[See Delivery Type Addendum of Device](#)

10. Support information

For additional information, please visit: <http://www.nxp.com>

11. Package outline

[See Delivery Type Addendum of Device](#)

12. Revision history

Table 10. Revision history

| Document ID | Release date | Data sheet status | Change notice | Supersedes |
|----------------|-----------------|------------------------|---|------------|
| 028634 | 4 February 2008 | Product data sheet | | 3.3 |
| Modifications: | | | <ul style="list-style-type: none"> • Update • General rewording of MIFARE designation and commercial conditions | |
| 028633 | July 2008 | Product data sheet | | 3.2 |
| Modifications: | | | <ul style="list-style-type: none"> • exchange of figure 11 and 13 | |
| 028632 | 3 April 2007 | Product data sheet | | 3.1 |
| Modifications: | | | <ul style="list-style-type: none"> • The format of this data sheet has been redesigned to comply with the new identity guidelines of NXP Semiconductors. • Legal texts have been adapted to the new company name. | |
| 028631 | March 2007 | Product data sheet | | 3.0 |
| 028630 | March 2003 | Product data sheet | | 2.5 |
| 028625 | March 2003 | | Write Endurance, Data Retention | 2.4 |
| 028624 | February 2003 | Preliminary Version | | 2.3 |
| 028623 | January 2003 | | Include MF0ICU11 type | 2.2 |
| 028622 | January 2003 | | Updated document layout + wording Change of Write endurance to 1000 cycles | 2.1 |
| 028621 | January 2003 | | Introduction of read in state Ready2 and Compatibility write command | 2.0 |
| 028620 | | | Introduction of Lock bytes and increase of memory to 512 bit. Correction of Manufacturer Code | 1.0 |
| 028610 | | First official version | | |

13. Legal information

13.1 Data sheet status

| Document status ^{[1][2]} | Product status ^[3] | Definition |
|-----------------------------------|-------------------------------|---|
| Objective [short] data sheet | Development | This document contains data from the objective specification for product development. |
| Preliminary [short] data sheet | Qualification | This document contains data from the preliminary specification. |
| Product [short] data sheet | Production | This document contains the product specification. |

[1] Please consult the most recently issued document before initiating or completing a design.

[2] The term 'short data sheet' is explained in section "Definitions".

[3] The product status of device(s) described in this document may have changed since this document was published and may differ in case of multiple devices. The latest product status information is available on the Internet at URL <http://www.nxp.com>.

13.2 Definitions

Draft — The document is a draft version only. The content is still under internal review and subject to formal approval, which may result in modifications or additions. NXP Semiconductors does not give any representations or warranties as to the accuracy or completeness of information included herein and shall have no liability for the consequences of use of such information.

Short data sheet — A short data sheet is an extract from a full data sheet with the same product type number(s) and title. A short data sheet is intended for quick reference only and should not be relied upon to contain detailed and full information. For detailed and full information see the relevant full data sheet, which is available on request via the local NXP Semiconductors sales office. In case of any inconsistency or conflict with the short data sheet, the full data sheet shall prevail.

13.3 Disclaimers

General — Information in this document is believed to be accurate and reliable. However, NXP Semiconductors does not give any representations or warranties, expressed or implied, as to the accuracy or completeness of such information and shall have no liability for the consequences of use of such information.

Right to make changes — NXP Semiconductors reserves the right to make changes to information published in this document, including without limitation specifications and product descriptions, at any time and without notice. This document supersedes and replaces all information supplied prior to the publication hereof.

Suitability for use — NXP Semiconductors products are not designed, authorized or warranted to be suitable for use in medical, military, aircraft, space or life support equipment, nor in applications where failure or malfunction of a NXP Semiconductors product can reasonably be expected to

result in personal injury, death or severe property or environmental damage. NXP Semiconductors accepts no liability for inclusion and/or use of NXP Semiconductors products in such equipment or applications and therefore such inclusion and/or use is at the customer's own risk.

Applications — Applications that are described herein for any of these products are for illustrative purposes only. NXP Semiconductors makes no representation or warranty that such applications will be suitable for the specified use without further testing or modification.

Limiting values — Stress above one or more limiting values (as defined in the Absolute Maximum Ratings System of IEC 60134) may cause permanent damage to the device. Limiting values are stress ratings only and operation of the device at these or any other conditions above those given in the Characteristics sections of this document is not implied. Exposure to limiting values for extended periods may affect device reliability.

Terms and conditions of sale — NXP Semiconductors products are sold subject to the general terms and conditions of commercial sale, as published at <http://www.nxp.com/profile/terms>, including those pertaining to warranty, intellectual property rights infringement and limitation of liability, unless explicitly otherwise agreed to in writing by NXP Semiconductors. In case of any inconsistency or conflict between information in this document and such terms and conditions, the latter will prevail.

No offer to sell or license — Nothing in this document may be interpreted or construed as an offer to sell products that is open for acceptance or the grant, conveyance or implication of any license under any copyrights, patents or other industrial or intellectual property rights.

13.4 Trademarks

Notice: All referenced brands, product names, service names and trademarks are the property of their respective owners.

MIFARE — is a trademark of NXP B.V.

14. Contact information

For additional information, please visit: <http://www.nxp.com>

For sales office addresses, send an email to: salesaddresses@nxp.com

15. Tables

| | | | | | |
|----------|--|----|-----------|---|----|
| Table 1. | REQA | 13 | Table 6. | Halt | 17 |
| Table 2. | WUPA | 13 | Table 7. | Write | 17 |
| Table 3. | ANTICOLLISION and SELECT of cascade level 1 | 14 | Table 8. | Compatibility write | 18 |
| Table 4. | ANTICOLLISION and SELECT of cascade level 2 | 15 | Table 9. | Summary of relevant data for device identification | 19 |
| Table 5. | Read | 16 | Table 10. | Revision history | 20 |

16. Figures

| | | |
|---------|----------------------------------|----|
| Fig 1. | MIFARE card reader | 2 |
| Fig 2. | Block diagram | 4 |
| Fig 3. | Communication principle | 6 |
| Fig 4. | Memory organization | 9 |
| Fig 5. | UID/serial number | 10 |
| Fig 6. | Lock bytes | 11 |
| Fig 7. | OTP bytes | 12 |
| Fig 8. | REQA | 13 |
| Fig 9. | WUPA | 13 |
| Fig 10. | ANTICOLLISION of cascade level 1 | 14 |
| Fig 11. | SELECT of cascade level 1 | 14 |
| Fig 12. | ANTICOLLISION of cascade level 2 | 15 |
| Fig 13. | SELECT of cascade level 2 | 15 |
| Fig 14. | Read | 16 |
| Fig 15. | Halt | 17 |
| Fig 16. | Write | 17 |
| Fig 17. | Compatibility write | 18 |

continued >>

17. Contents

| | | | | | |
|----------|---|-----------|-----------|--------------------------------------|-----------|
| 1 | General description | 1 | 10 | Support information | 19 |
| 1.1 | Key applications | 1 | 11 | Package outline | 19 |
| 1.2 | Contactless energy and data transfer | 1 | 12 | Revision history | 20 |
| 1.3 | Anticollision | 1 | 13 | Legal information | 21 |
| 1.3.1 | Cascaded UID | 2 | 13.1 | Data sheet status | 21 |
| 1.4 | Security | 2 | 13.2 | Definitions | 21 |
| 1.5 | Delivery options | 2 | 13.3 | Disclaimers | 21 |
| 2 | Features | 3 | 13.4 | Trademarks | 21 |
| 2.1 | MIFARE, RF Interface (ISO/IEC 14443 A) | 3 | 14 | Contact information | 21 |
| 2.2 | EEPROM | 3 | 15 | Tables | 22 |
| 2.3 | Security | 3 | 16 | Figures | 22 |
| 3 | Ordering information | 3 | 17 | Contents | 23 |
| 4 | Block diagram | 4 | | | |
| 5 | Pinning information | 4 | | | |
| 5.1 | Pinning | 4 | | | |
| 6 | Functional description | 5 | | | |
| 6.1 | Block description | 5 | | | |
| 6.2 | Communication principle | 6 | | | |
| 6.2.1 | Idle | 7 | | | |
| 6.2.2 | Ready1 | 7 | | | |
| 6.2.3 | Ready2 | 7 | | | |
| 6.2.4 | Active | 7 | | | |
| 6.2.5 | Halt | 8 | | | |
| 6.3 | Data integrity | 8 | | | |
| 6.4 | RF interface | 8 | | | |
| 6.5 | Memory organization | 9 | | | |
| 6.5.1 | UID/serial number | 10 | | | |
| 6.5.2 | Lock bytes | 11 | | | |
| 6.5.3 | OTP bytes | 12 | | | |
| 6.5.4 | Data pages | 12 | | | |
| 6.6 | Command set | 13 | | | |
| 6.6.1 | REQA | 13 | | | |
| 6.6.2 | WUPA | 13 | | | |
| 6.6.3 | ANTICOLLISION and SELECT of cascade level 1 | 14 | | | |
| 6.6.4 | ANTICOLLISION and SELECT of cascade level 2 | 15 | | | |
| 6.6.5 | Read | 16 | | | |
| 6.6.6 | Halt | 17 | | | |
| 6.6.7 | Write | 17 | | | |
| 6.6.8 | Compatibility write | 18 | | | |
| 6.7 | Summary of relevant data for device identification | 19 | | | |
| 7 | Limiting values | 19 | | | |
| 8 | Recommended operating conditions | 19 | | | |
| 9 | Characteristics | 19 | | | |

Please be aware that important notices concerning this document and the product(s) described herein, have been included in section 'Legal information'.

founded by

PHILIPS

© NXP B.V. 2008.

All rights reserved.

For more information, please visit: <http://www.nxp.com>

For sales office addresses, please send an email to: salesaddresses@nxp.com

Date of release: 11 February 2008

Document identifier: 028634